

PODR-I 1000

The PODR-I is a compact submersible mixer for smaller tanks where the dry content matter is typically 1–4%.

APPLICATION EXAMPLES

- ▶ Selector tanks
- ▶ Anoxic and anaerobic tanks
- ▶ SBR reactors
- ▶ Pump wells
- ▶ Equalisation tanks

PROPELLER RPM

1,000 rpm



MATERIAL OF CONSTRUCTION

Motor housing and oil chamber	W1.4408/AISI316
Propeller	Stainless steel W1.4301/AISI 304
Protection collar	Plastic PE-HD 1000
Shaft	W1.4404/AISI316
Bolts	A4
Sealing set	Mechanical shaft seals: silicon carbide/silicon carbide
Oil type	15W-40 Vario HDX (with moisture detection)

SERVICE AND MAINTENANCE

Recommended service interval/oil change	Maximum 2,500 operating hours/minimum once a year
Motor	Lifetime lubricated bearings
Oil chamber	Periodic oil change

ELECTRICAL CABLE

H07RN-F/S07RN-F EUCAFLEX^{Plus} Cable.

Resistant to oil and UV radiation.



Number of conductors:

H07RN-F 7G1.5 mm² (Not used in United Kingdom)

H07RN-F 7G2,5 mm² (Only United Kingdom. Motor ≤ 5,5 kW)

S07RN-F 7G4+3x1.5 mm²

As standard supplied with 7 m of cable (extra length available upon request).

MONITORING FUNCTIONS

Bimetal thermal sensors 120 °C

Moisture detection system (optional)

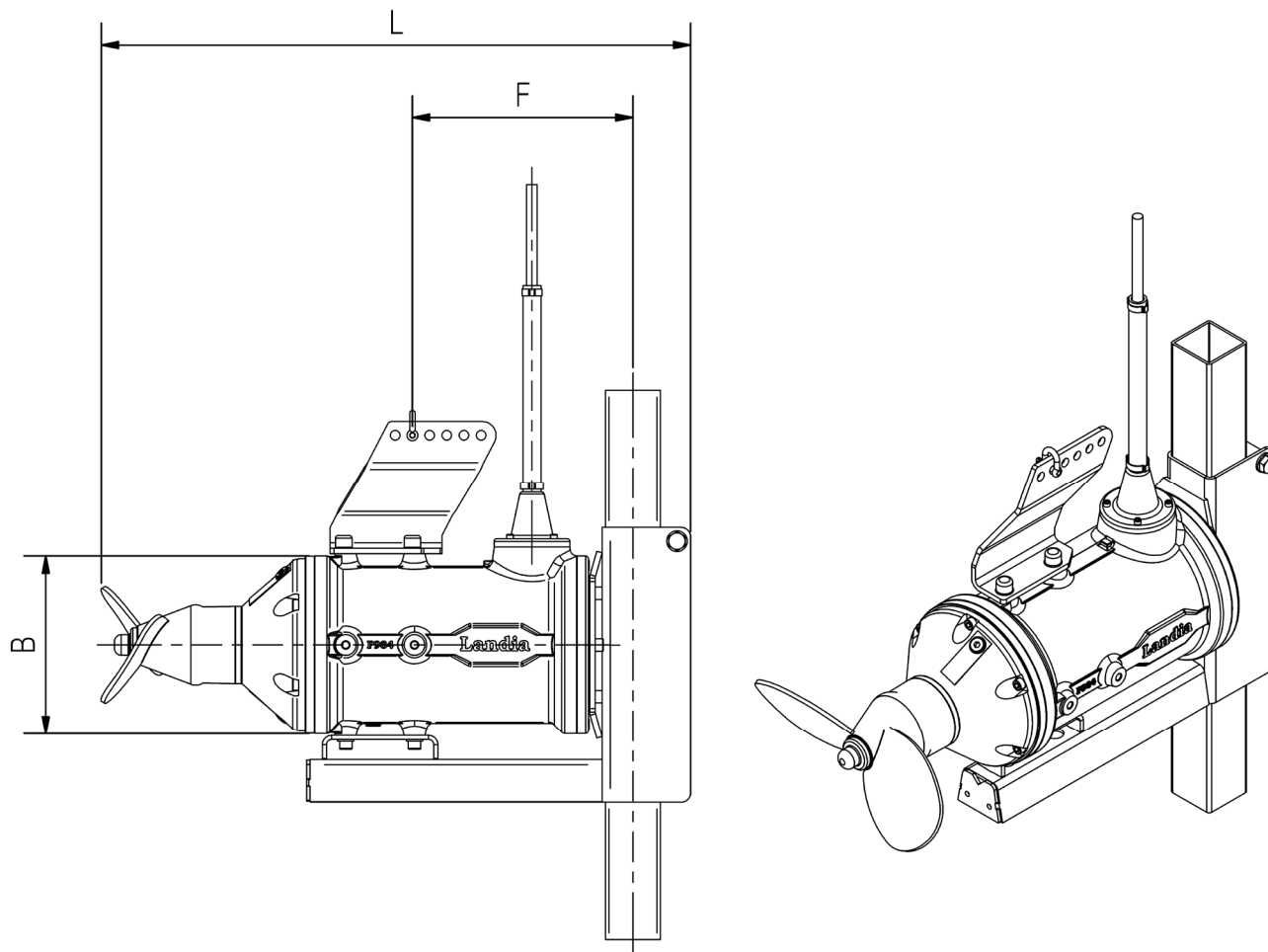
ELECTRICAL DATA

Motor type	3-phase AC motor
Nominal voltage	400 V
Minimum voltage allowed	360 V
Nominal frequency	50 Hz
Applicable for VFD operation	Yes
Ingress protection rating	IP 68
Insulation class	F
ATEX classificatio	Not possible

Model	Item number	Nominal power	Motor	Full load current (400 V)	Connection method	Start current (DOL)	cos phi	Efficiency
		[kW]	[rpm]	[A]	Y/Δ	[A]		[%]
PODR-I 1.1 kW-1,000 rpm	1236201	1.1	955	2.75	Y	15	0.71	78.1
PODR-I 4.0 kW-1,000 rpm	1236204	4.0	965	8.5	Δ	43	0.79	85.5
PODR-I 7.5/5.5 kW-1,000 rpm	1236207	7.5	970	15.5	Δ	91	0.79	87.5

For voltages others than 400 V/50 Hz please refer to the attached Appendix.

OVERALL DIMENSIONS



Model	Item number	Propeller diameter [mm]	B [mm]	F [mm]	L [mm]	Guide pipe [mm]	Weight [kg]
PODR-I 1.1 kW-1,000 rpm	1236201	ø245	213	-	690	80x80	80
PODR-I 4.0 kW-1,000 rpm	1236204	ø335	264	-	830	80x80	110
PODR-I 7.5/5.5 kW-1,000 rpm	1236207	ø365	318	-	910	100x100	185

We reserve the right to make technical changes.